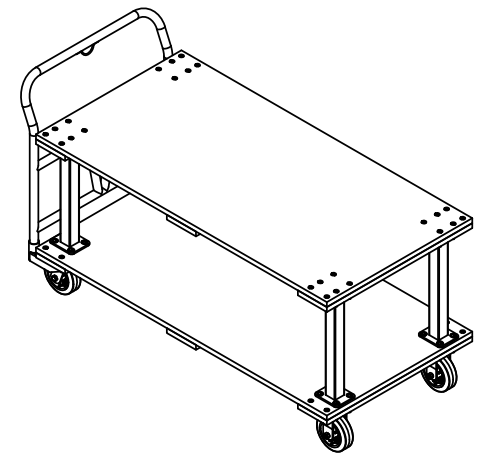
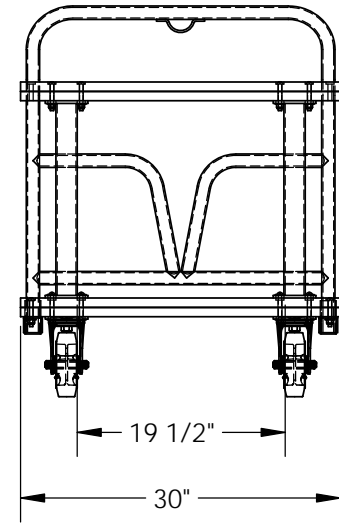
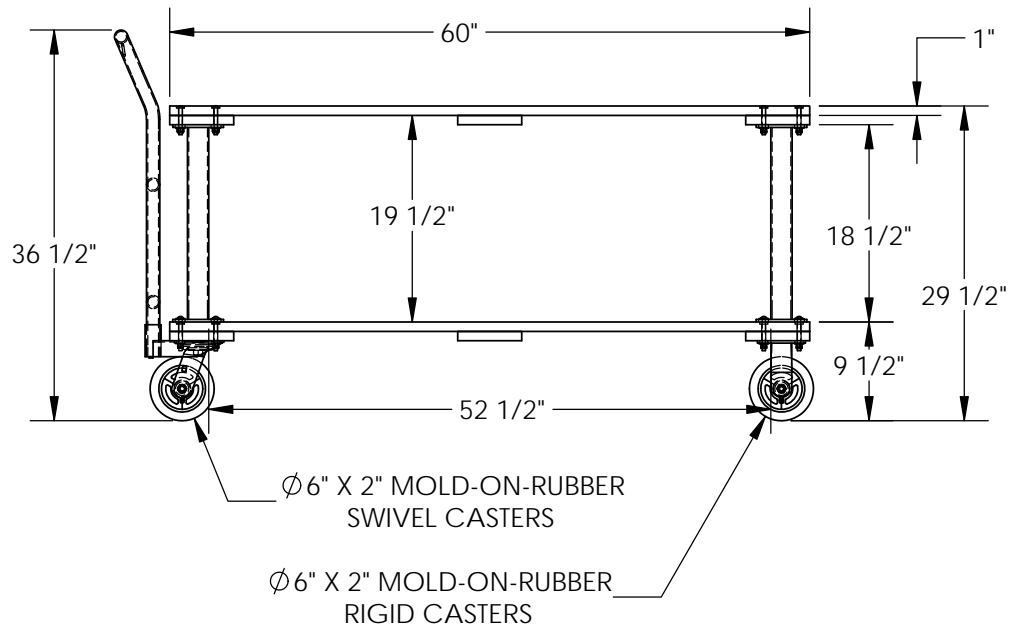


DOUBLE DECKER HARDWOOD PLATFORM CART - VHPT/D-3060

APPROX WEIGHT: 154.07 lbs.
 DOES NOT INCLUDE WEIGHT OF POWER OR PACKAGING!!!

*** ANY ADDITIONS, DELETIONS, OR OMISSIONS MUST BE CORRECTED ON THIS DRAWING AS THIS DRAWING WILL BE CONSIDERED ALL INCLUSIVE ***

ALL GRAPHICS PROVIDED ARE FOR REFERENCE ONLY. IF CERTAIN DIMENSIONS ARE CRITICAL PLEASE VERIFY THOSE DIMENSIONS WITH YOUR SALESPERSON



DIMENSION TOLERANCE ± 1/4"

STANDARD FEATURES

- MODEL NUMBER: VHPT/D-3060
- CAPACITY: 1,600 LBS
- MAX 800 LBS PER SHELF
- DECK WIDTH: 30"
- DECK LENGTH: 60"
- BOTTOM PLATFORM HEIGHT: 9 1/2"
- TOP PLATFORM HEIGHT: 29 1/2"
- CONSTRUCTED OF 1" THICK HARDWOOD
- SUPPORT POSTS ARE 18 1/2" LONG
- Ø6" X 2" MOLD-ON-RUBBER CASTERS
- 2- RIGID CASTERS
- 2- SWIVEL CASTERS

SPECIAL FEATURES

NONE

FOR INTERNAL USE ONLY
 PROJECT SIGN OFF

SALES	
ENG.	
FAB.	
POWER	

APPROVAL

I, THE UNDERSIGNED, AGREE THAT THE PRODUCT AS REPRESENTED SATISFIES DESIGN AND DIMENSION REQUIREMENTS. I ALSO ACKNOWLEDGE MY DUTY TO CONFIRM PRODUCT AND INSTALLATION COMPLIANCE WITH ALL APPLICABLE FEDERAL, STATE AND LOCAL REGULATIONS AND STANDARDS.

ALL SPECIAL UNITS ARE NON-RETURNABLE

[] As drawn [] As marked

Signed: _____ Date: _____

LEAD TIME WILL START UPON RECEIPT OF SIGNED APPROVAL DRAWING

DISTRIBUTOR'S NAME:		P.O.#	
HOF EQUIPMENT COMPANY		X	
PH: 888-990-1150		W.O.#	
		X	
DRAWN BY:	CA	DATE:	12/12/12
REFERENCE:	X	SCALE:	1:18
QUOTED LEAD TIME:	X	QUOTE #	X
		FILE NAME:	
		33-007-014-001	